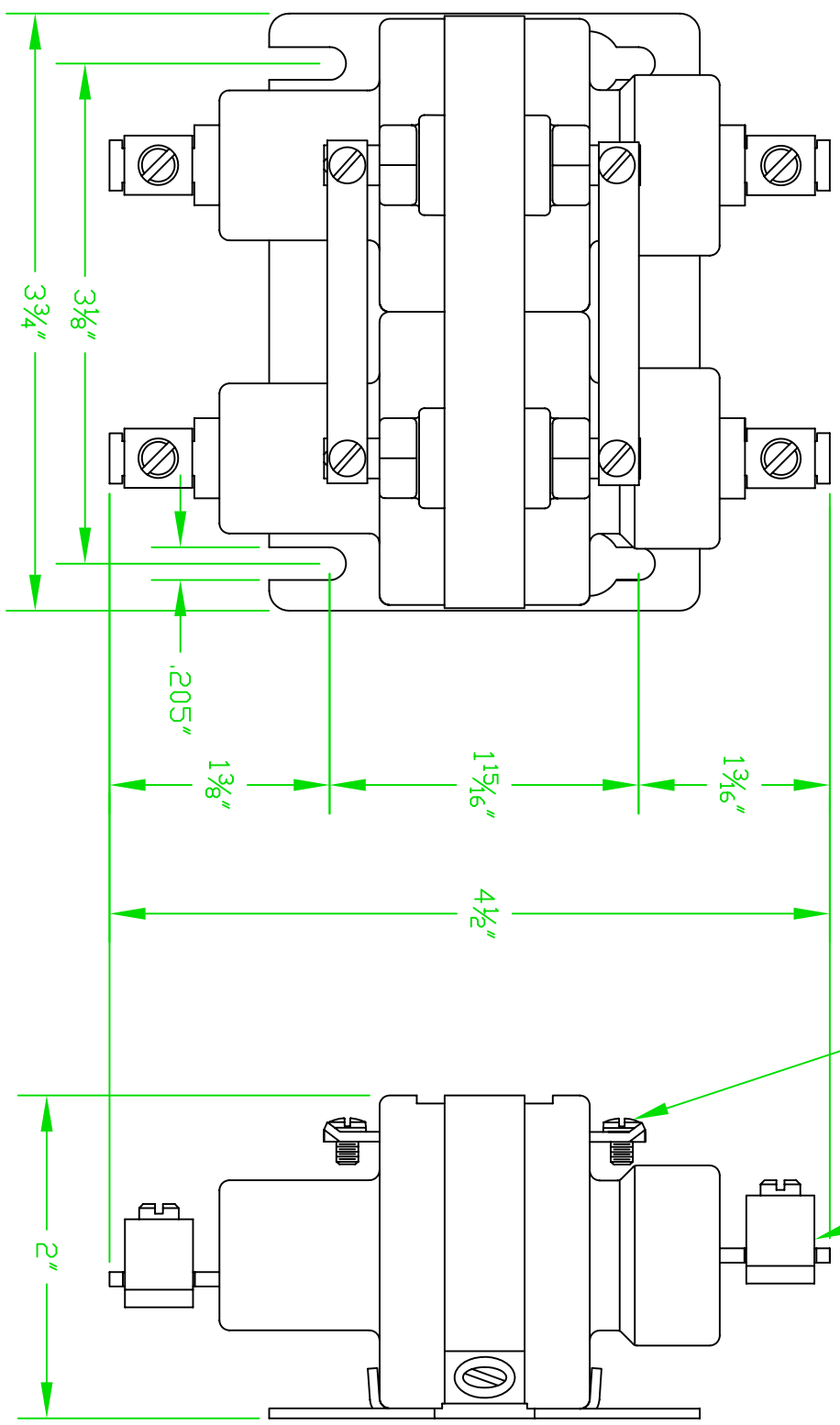


LOAD CONNECTORS FOR #2 TD #12 AWG 60AMP
 #4 TD #14 AWG 35AMP



CONTACT RATINGS: 2 POLE 35/60 AMP
 35 AMP @ 480 VAC NORMALLY CLOSED

-OR-

60 AMP @ 480 VAC